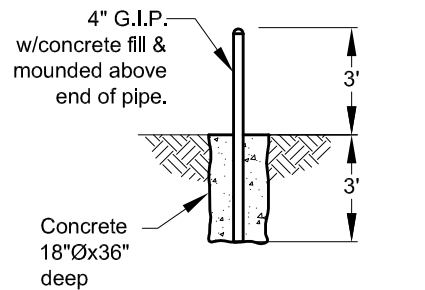
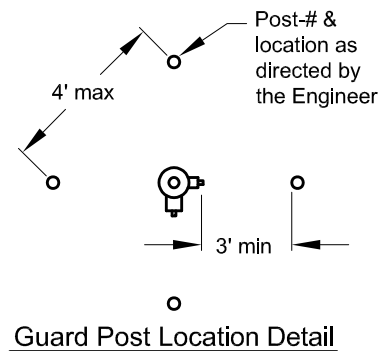
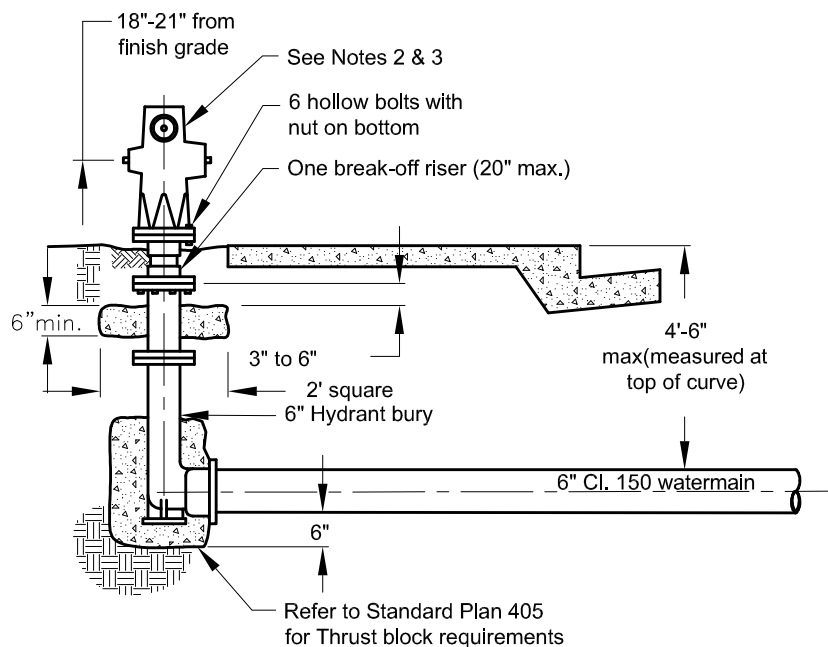
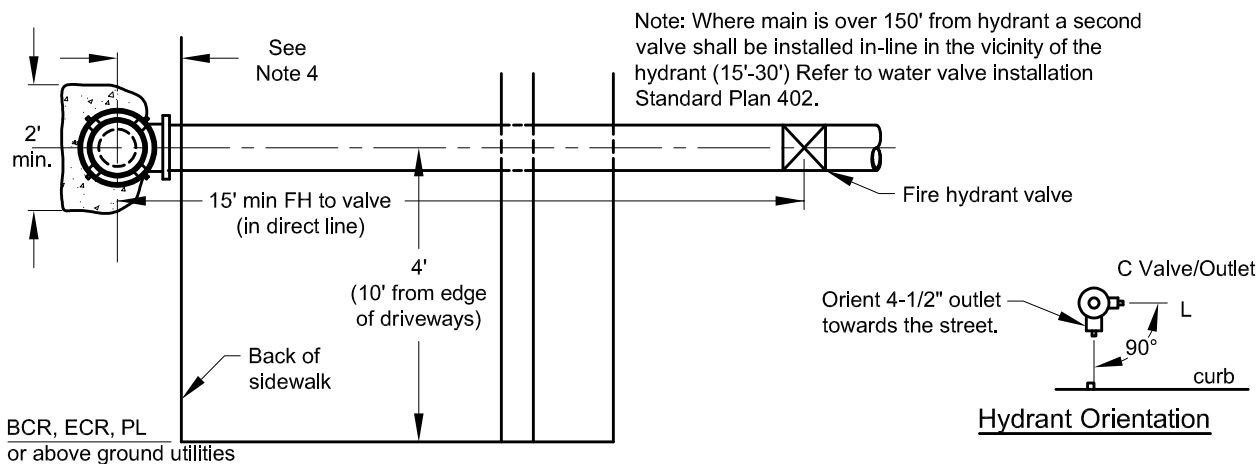




# CITY OF LODI

PUBLIC WORKS DEPARTMENT

## Fire Hydrant Installation



**Notes:**

- All work and material shall conform to City of Lodi Construction Specifications.
- Hydrants shall be painted Federal Yellow at the factory and furnished with National Standard Hose Thread outlets and cast iron caps.
- All Hydrants one 4-1/2" outlet & one 2-1/2" outlet; with fusion epoxy coated interior. Clow 850; Clow 950; AVK 24/70; Jones 4040.
- Locate C/L of hydrant per the following:  
1.5' behind walk where F.O.C. to B.O.W. distance is 7.0' or less.  
2.5' behind F.O.C. where F.O.C. to B.O.W. distance is greater than 7.0'  
5' behind F.O.C. in planters.
- Install guard posts where hydrants are installed in paved areas accessible to traffic or in planters where hydrant is less than 3' behind the curb or when directed by the City.
- For trench backfill requirement, See Standard Plan 501.
- Install blue retroreflective hydrant pavement marker per std. plan 716.

**Guard Post Construction Detail**  
See Note #5

Dr.	JP	No.	Date	Revision	Appr.	Approved By:  Lyman Chang City Engineer RCE No. 53149	11/29/22 Date	STD PLAN
Ch.	SN	1	2/08	ADJUSTED GUARD POST DEPTH				401
Date		2	4/22	ORIENTED 4-1/2 OUTLET TO STREET				
	11/22	3	10/22	15' MIN FH TO VALVE				
		4	11/22	ADDED NOTE 18-21" TO FG				