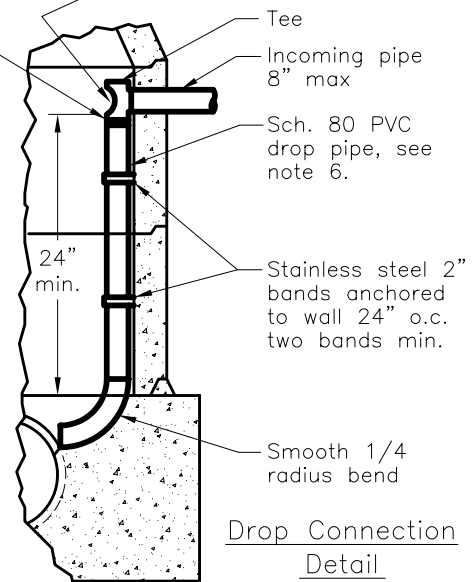
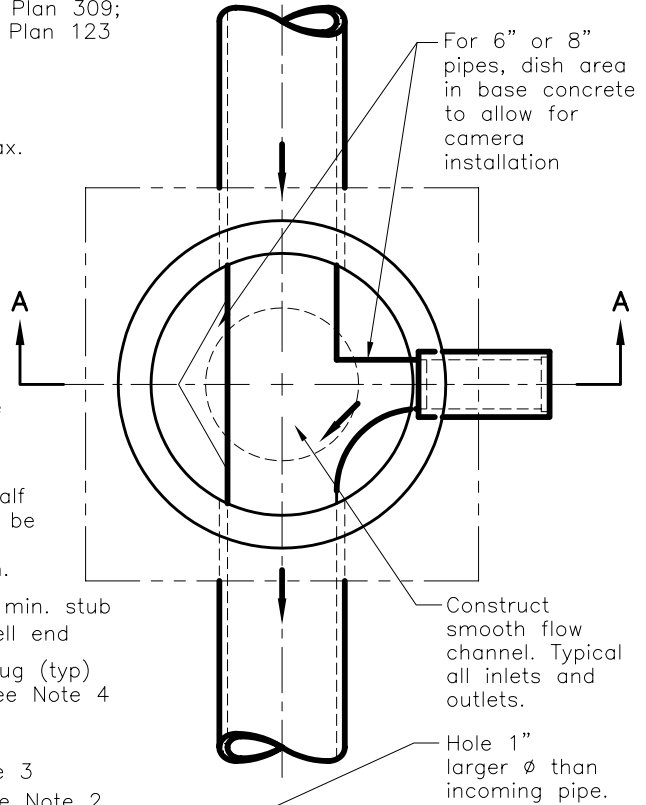
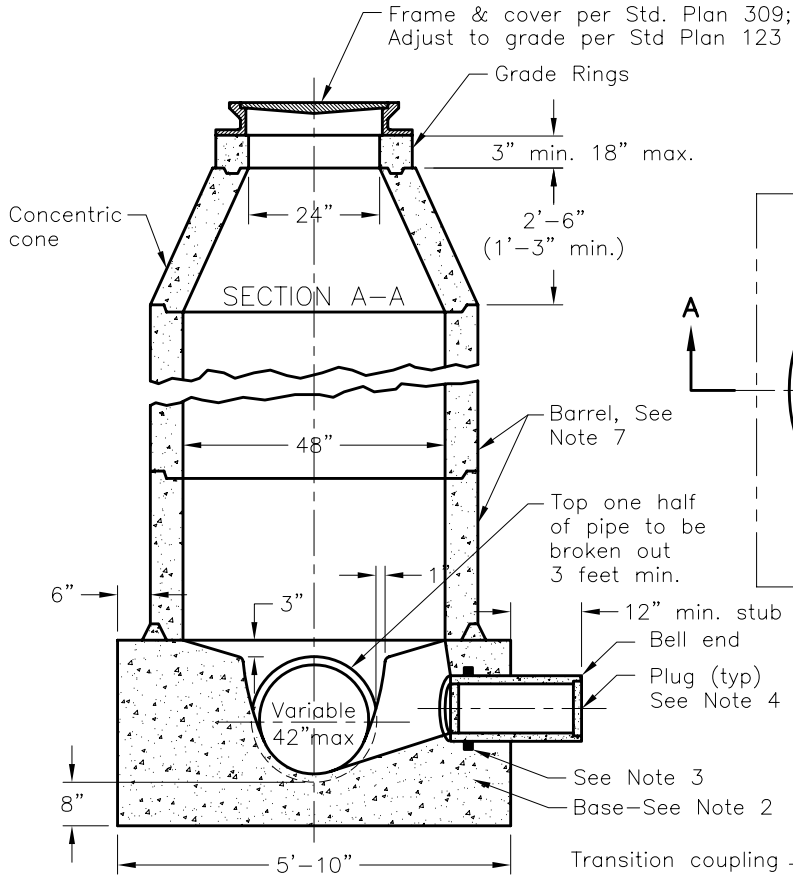




CITY OF LODI

PUBLIC WORKS DEPARTMENT

48" Manhole



Drop Connection Detail
For Sanitary Sewer only

Notes:

1. Barrel, cone and grade ring sections shall conform to ASTM C478, latest revision. Manufacturer to be approved by the engineer.
2. Base shall consist of cast-in-place Class B concrete per Sec. 90 Caltrans Std Specification. Prefabricated bases shall conform to Note 1 and be placed on 4" of concrete or 3/4" Class II AB Bedding.
3. Rubber ring waterstop or manhole adapter required for PVC pipe installations.
4. Plugs shall be compression type as approved by the Engineer.
5. Backfill around MH shall be compacted to 95% R.C. min.
6. Drop connection to be used only when shown on the plans or approved by the Engineer. Drop pipe to be one size larger than the incoming pipe.
7. All barrel joints shall be grouted inside and outside or sealed Ram-nek or approved equivalent.

Dr. KT	No.	Date	Revision	Appr.	Approved By:	STD PLAN
Ch. WS					<i>F. Wally Sandelin</i>	301
Date 12/00					F. Wally Sandelin City Engineer R.C.E. 39895	12/28/00 Date