



# CITY OF LODI

PUBLIC WORKS DEPARTMENT

## GENERAL NOTES MARKER DETAILS LEGEND

### NOTES

1. MINIMUM PROJECTED AREA OF REFLECTIVE FACE = 1.00 SQUARE INCH.
2. REFLECTIVE MARKERS NEED NOT BE RECTANGULAR.

### LEGEND

- TYPE A WHITE NON-REFLECTIVE
- TYPE AY YELLOW NON-REFLECTIVE
- ▤ TYPE C RED-CLEAR RETROREFLECTIVE
- ▥ TYPE D TWO-WAY YELLOW RETROREFLECTIVE
- TWO-WAY BLUE RETROREFLECTIVE
- ▦ TYPE G ONE-WAY CLEAR RETROREFLECTIVE
- ▧ TYPE H ONE-WAY YELLOW RETROREFLECTIVE

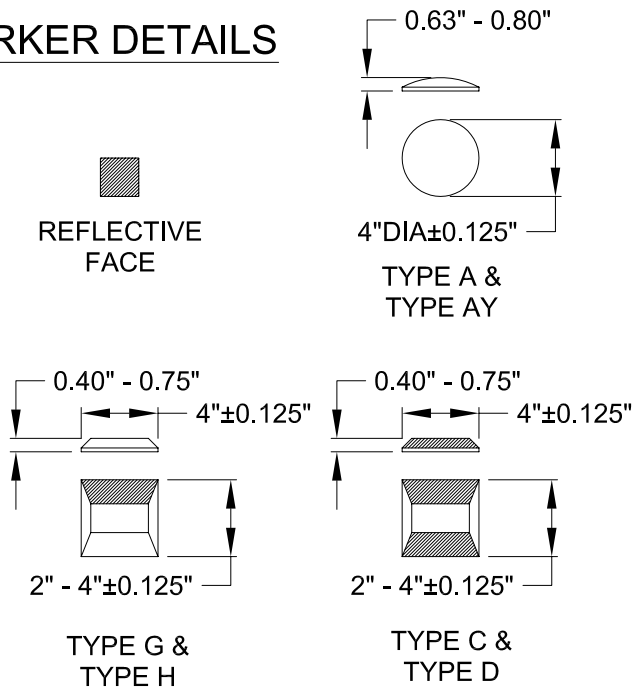
### LINES

□ 4" WHITE

▤ 4" YELLOW

DIRECTION OF TRAVEL

### MARKER DETAILS



Dr.	JSB	No.	1	Date	2/05	Revision	ADDED BLUE REFLECTOR	Appr.	PJF	Approved By:	<i>F. Wally Sandelin</i>	STD PLAN
Ch.	PJF											700
Date	2/04										F. Wally Sandelin City Engineer R.C.E. 39895	2/2/05 Date