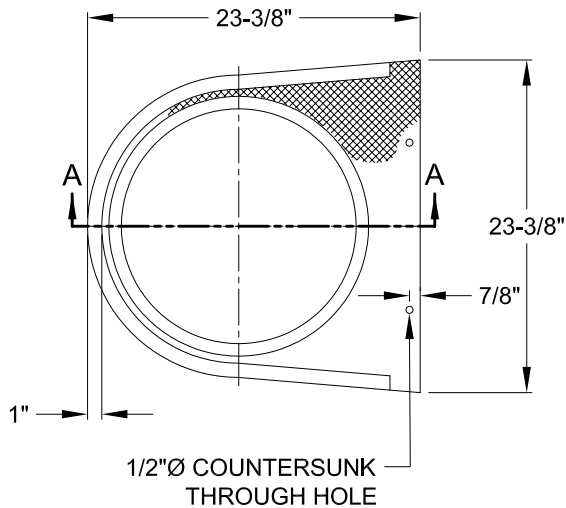




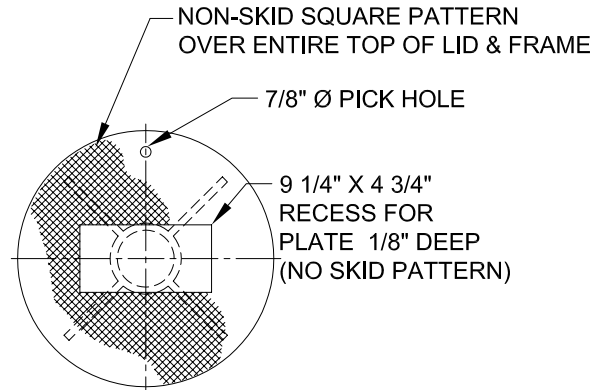
# CITY OF LODI

PUBLIC WORKS DEPARTMENT

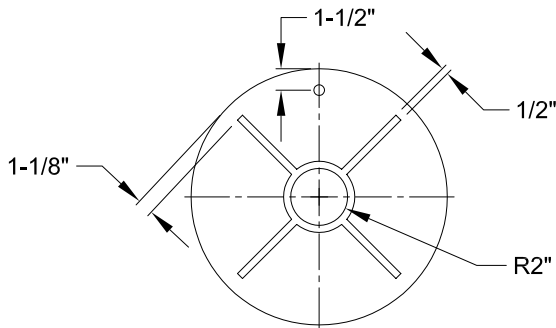
## SIDE INLET CATCH BASIN ASSEMBLY



PLAN VIEW FRAME



PLAN VIEW LID



LID UNDERSIDE

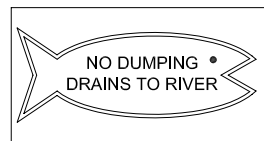
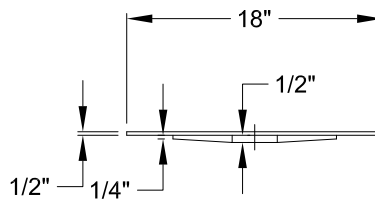


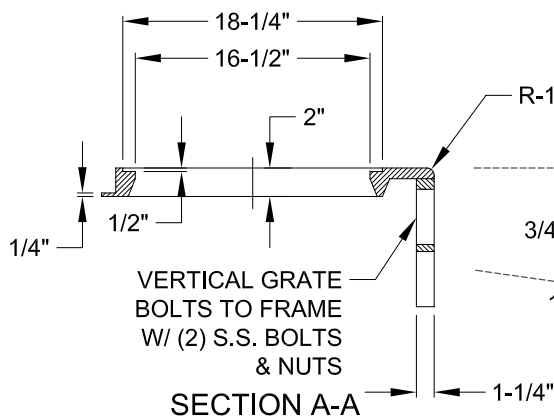
PLATE DETAIL

PRE-FABRICATED ALUMINUM PLATE (PROVIDED BY CITY)

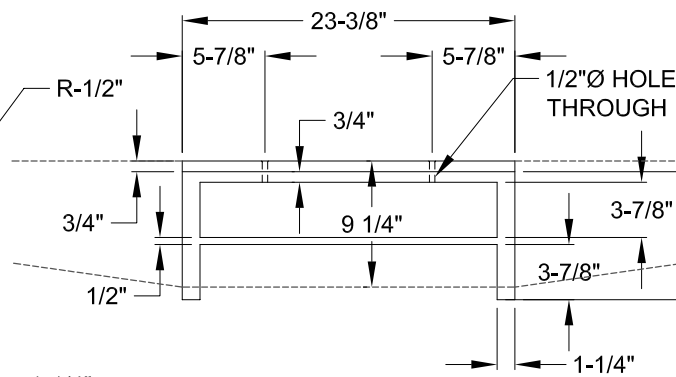


SIDE VIEW LID

INSTALLATION SHALL BE AS PER STANDARD PLAN 303 & 314



SECTION A-A



FRONT VIEW

Dr.	No.	Date	Revision	Appr.	Approved By:	STD PLAN
KG	1	2/05	NEW STANDARD PLAN		<i>F. Wally Sandelin</i>	307
Ch.	WS				F. Wally Sandelin City Engineer R.C.E. 39895	
Date	6-04				2/2/05 Date	